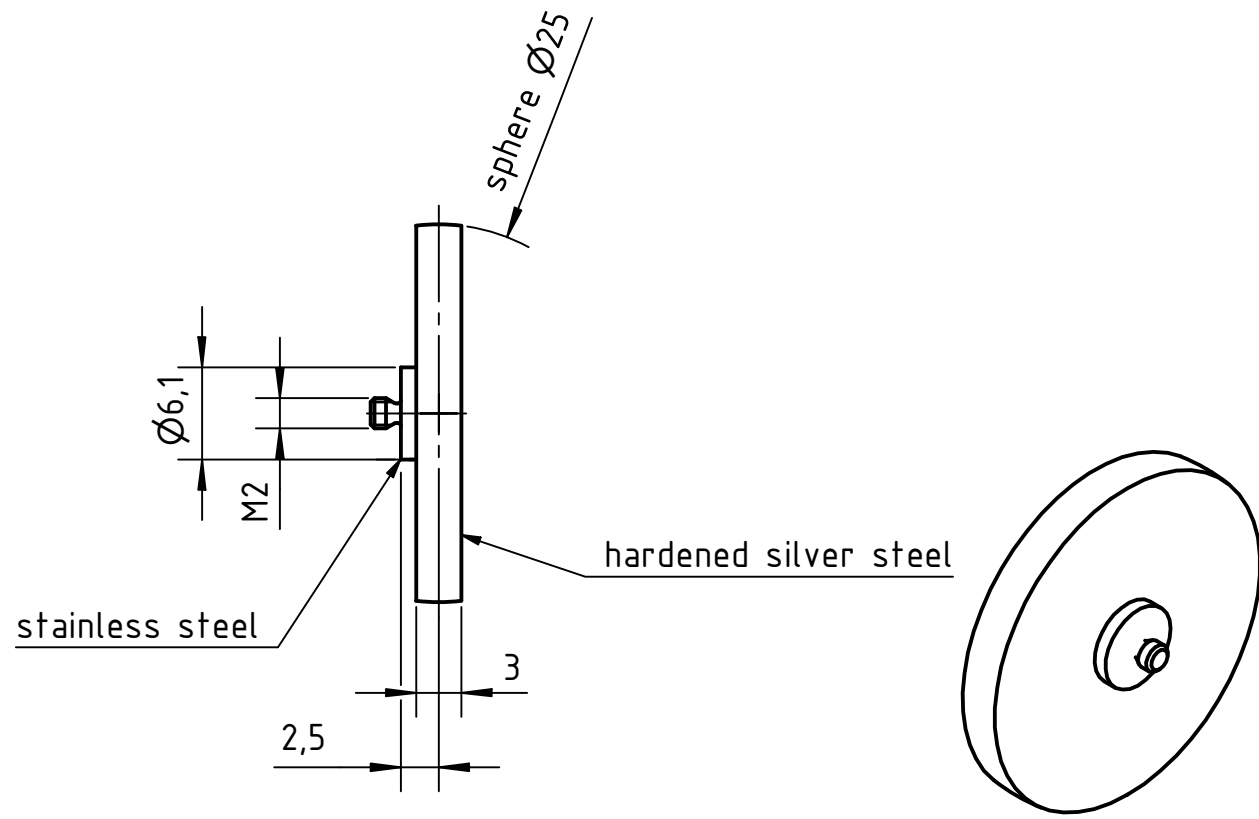


A

B

C



stainless steel

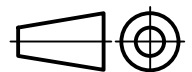
hardened silver steel

D

This drawing is the property of  
©Mitutoyo Europe GmbH.

It may only be used for the purposes it was supplied for and may not be reproduced, distributed, or transmitted in any form or by any means, including photocopying, recording, or other electronic or mechanical methods, without the prior written permission of Mitutoyo Europe GmbH.

Methode DIN-ISO 128



Scale  
**2 : 1**

Title  
**M2 DSC SD25.0 SLVS T3.0 L2.5 BR-N**

Part No. / Order No.  
**K651082**

**Mitutoyo**

Mitutoyo Europe GmbH  
info@mitutoyo.eu  
www.mitutoyo.eu

Name  
HWK  
Date  
30.11.2020

Material

Format  
**A4**

Sheet  
1 of 1

Checked  
JH

Drawing No.  
**T027.S40.02.00**